

aintenance. Even in the toughest conditions,
and easy to operate.

+ WELL PROVEN TECHNOLOGY

It has been around for three decades and has continuously been upgraded and improved in pace with our customers' increasingly higher demands for performance. Thanks to the straightforward design of the PowerROC T30 E, the robust Atlas Copco components and impressive power, the easy-to-operate rig repeatedly helps you to overcome the toughest everyday challenges.

+ HIGH PERFORMANCE, LOW COST

The PowerROC T30 E is a hydraulic drill rig designed especially for construction jobs where long reach is vital. If necessary, it can easily take on other jobs, such as bench drilling in small quarries. Low fuel consumption and high capacity makes the PowerROC T30 E ideal for a variety of construction applications, including house foundations, road construction, pipeline building and trenching.

+ POWERFUL AND ROBUST

PowerROC T30 E has an aluminium feed which translates into low cost of drill consumables. It is equipped with one of two rock drills, RD 14S or COP 1640+. Combined with the impressive flushing air capacity it enables high productivity. And behind it all there is a very powerful engine.



SERVICE

ular service to
oco provides
nized
ilability and
nd Rock
echnicians
ning the
th service
hnician,

HOLE RANGE

| Rock drill | Shank type | Maximum hole depth | | Drill diameter |
|------------|---------------------------|--------------------|----------|----------------|
| | | Metric | Imperial | Metric |
| RD 14S | T38, T45 | 17.5 m | 57' | 51 – 89 mm |
| COP 1640+ | R32, T35, TC 35, T38, T45 | 17.5 m | 57' | 45 – 89 mm |

ENGINE

| | | |
|--|-----------------|-----------------|
| Cummins turbo charged, diesel engine, QSB4.5, Tier 3/stage 3A | Metric | Imperial |
| Power rating at 2000 rpm | 116 kW | 155 hp |
| Electronic variable engine speed | 1 200–2 000 rpm | 1 200–2 000 rpm |
| Cummins turbo charged, diesel engine, QSB4.5, Tier 4i/Stage 3B | Metric | Imperial |
| Power rating at 2000 rpm | 116 kW | 155 hp |
| Electronic variable engine speed | 800–2 000 rpm | 800–2 000 rpm |

COMPRESSOR

Atlas Copco OIS, screw compr
Working pressure, max
FAD, at normal working pressu

HYDRAULIC ROCK DRILL

| Rock drill | Impact power | | Hydraulic pressure, max | | Impact rate | RPM, max | Tr |
|------------|--------------|---------|-------------------------|-----------|-------------|-------------------------------|-------------|
| | kW | hp | bar | psi | | | |
| RD 14S | 14 kW | 18.7 hp | 145 bar | 2 103 psi | 45 Hz | 220 rpm 174 rpm | 1 1 |
| COP 1640+ | 16 kW | 21.4 hp | 200 bar | 2 900 psi | 60 Hz | 340 rpm 215 rpm 135 rpm | 6 1 1 |

ELECTRICAL SYSTEM

| | |
|---------------------------------------|------------------|
| Voltage | 24 V |
| Batteries | 2 x 12 V, 185 Ah |
| Alternator | 24 V, 70 Ah |
| Work lights, front | 2 x 70 W halogen |
| Work lights, rear | 2 x 70 W halogen |
| Work lights, feed | 2 x 70 W |
| Display with diagnostics and settings | |

FEED

Hydraulic aluminium cylinder
drill steel support with moveat
Total length
Travel length
Feed extension
Feed rate, max
Feed force, max
Tractive pull, max

HYDRAULIC SYSTEM

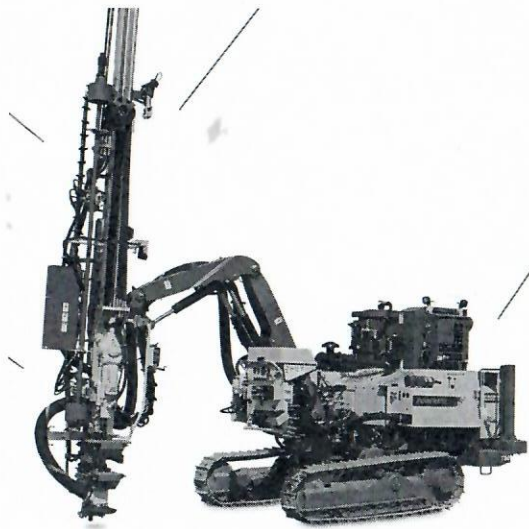
| | | |
|--|----------------|----------|
| Anti-jamming | | |
| Rotation pressure control feed RPC-F | | |
| Damper pressure control - impact DPC-I | | |
| Hydraulic oil cooler | Metric | Imperial |
| Max ambient temperature | 50°C | 122°F |
| Return and drainage filters | | |
| Filtration rate | 16 µm absolute | |

VOLUMES

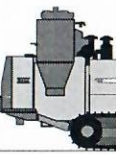
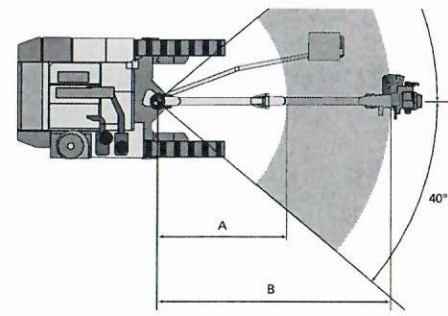
Hydraulic oil tank
Hydraulic system, total
Compressor oil
Diesel engine oil
Diesel engine, fuel tank
Diesel engine, cooling water (l)
Diesel engine, cooling water (l)
Traction gear
Lubrication tank (ECL)
AdBlue

DUST COLLECTOR DCT 140

| | | |
|---------------------------|-------------------|-----------|
| | Metric | Imperial |
| Filter area | 14 m ² | 151 sq.ft |
| Number of filter elements | 14 pcs | |



Good balance and terrainability.

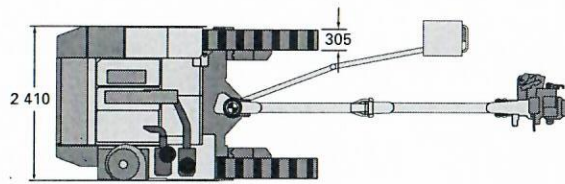
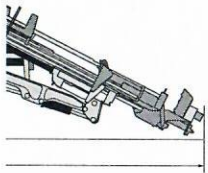


HORIZONTAL REACH (MM)

| | A | B |
|----------------|-------|-------|
| PowerROC T30 E | 2 300 | 4 000 |

VERTICAL REACH

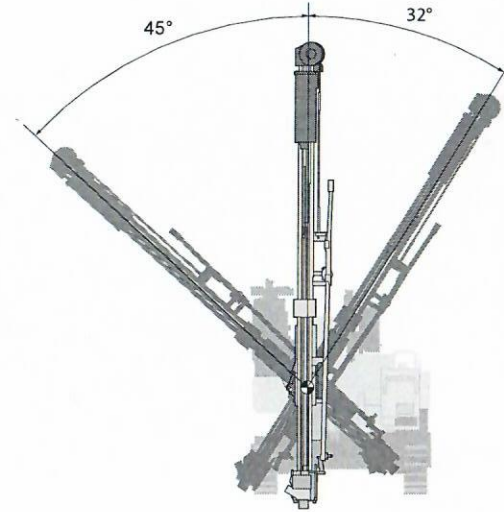
| |
|----------------|
| PowerROC T30 E |
|----------------|



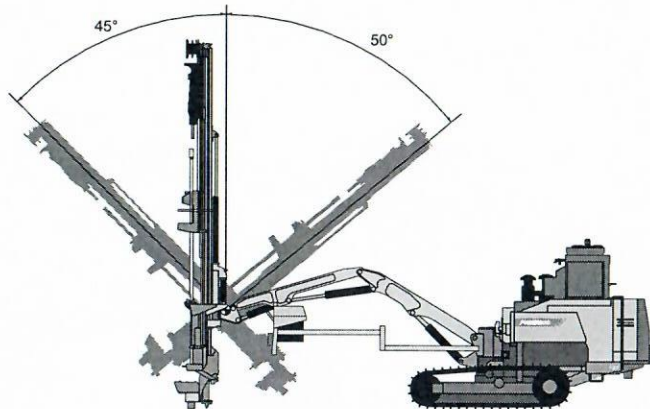
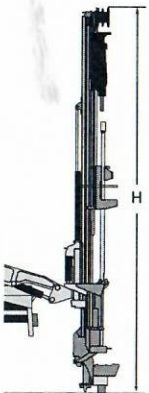
| Imperial |
|----------|
| 11' 10" |
| 32' 9" |

WEIGHT

| Standard unit excluding all options and drill steel | Metric | Imperial |
|---|-----------|-----------|
| PowerROC T30 E | 13 200 kg | 29 101 lb |



Normal position range in downwards directed drilling



OPTIONAL EQUIPMENT

Carrier

- Hydraulic support leg
- Hydraulic winch
- Certiq
- Cold start kit

Feed

- Sleeve retainer for RHS 51
 - Jaw set for R32/T38 sleeves
 - Jaw set for T45 sleeves

TAC guide tube guides for drill steel support

- TAC 45 mm for 45 mm guide tube
- TAC 56 mm for 56 mm guide tube

Lube oil and lube sys

- Thread greasing devise, t
- Thread greasing device, t
- Central lubrication system
- Tropical hydraulic oil, ISO
- Artic hydraulic oil, ISO VC
- Environmentally conform

Dust control

- Rubber disc for dust colle
- Rubber skirt for dust colle
- Water mist system exclur

Delivered equipment



Aft